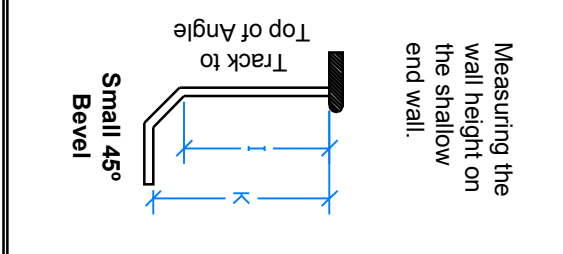


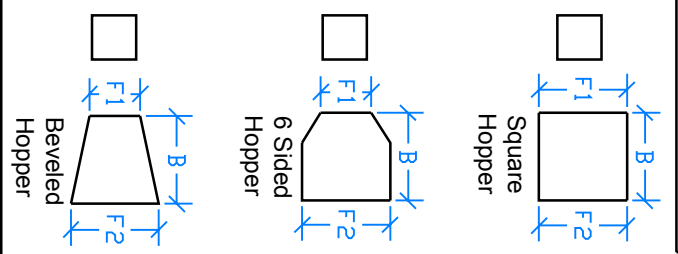
1 Measurements

A	FT	IN
B		
C		
D		
E		
F1		
F2		
G		
H		
I		
J		
K		
L1		
L2		
O		
W1		
W2		
W3		

Shallow End Profile

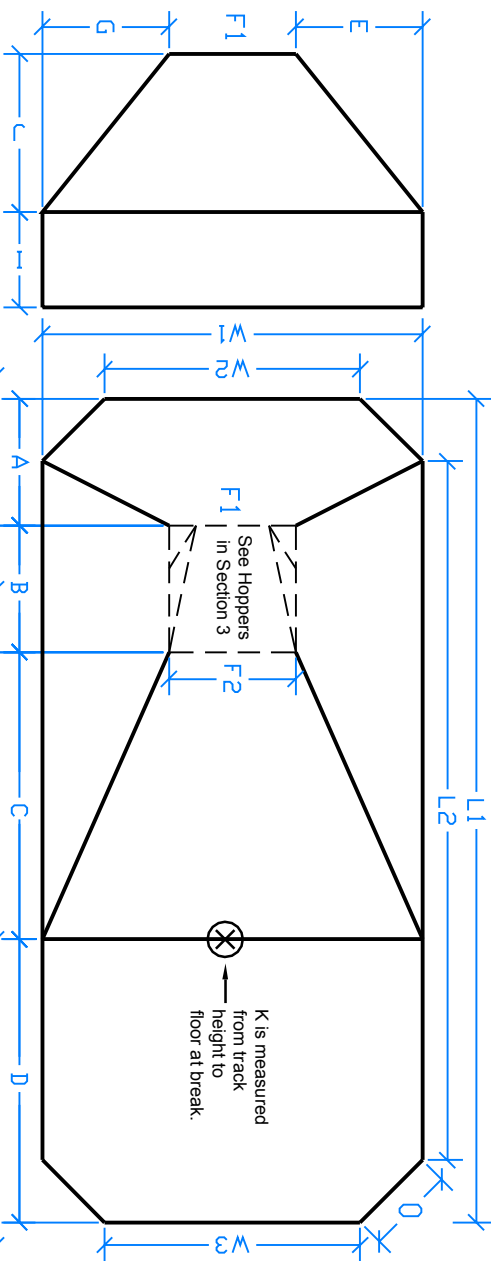


3 Hopper Detail



4 Pool Size

Width X Length



Measurement Checks
 A, B, C & D should equal L1
 E, F1 & G should equal W1

5 Liner Material

Floor	<input type="checkbox"/> 20	<input type="checkbox"/> 30	Pattern
Wall	<input type="checkbox"/> 20	<input type="checkbox"/> 30	

6 Step Detail

(check all that apply)

Liner Covers Steps?	<input type="checkbox"/> Yes	<input type="checkbox"/> No
Fiberglass Steps?	<input type="checkbox"/>	<input type="checkbox"/>
Safety Ledger?	<input type="checkbox"/>	<input type="checkbox"/>

Bench Loveseats

7 Customer

Name _____

Address _____

City _____

State _____ Zip _____

Phone 1 _____

Phone 2 _____

Fax _____

Email _____

Representative _____

2 Liner Mounting

(check one)

Beaded

Overlap