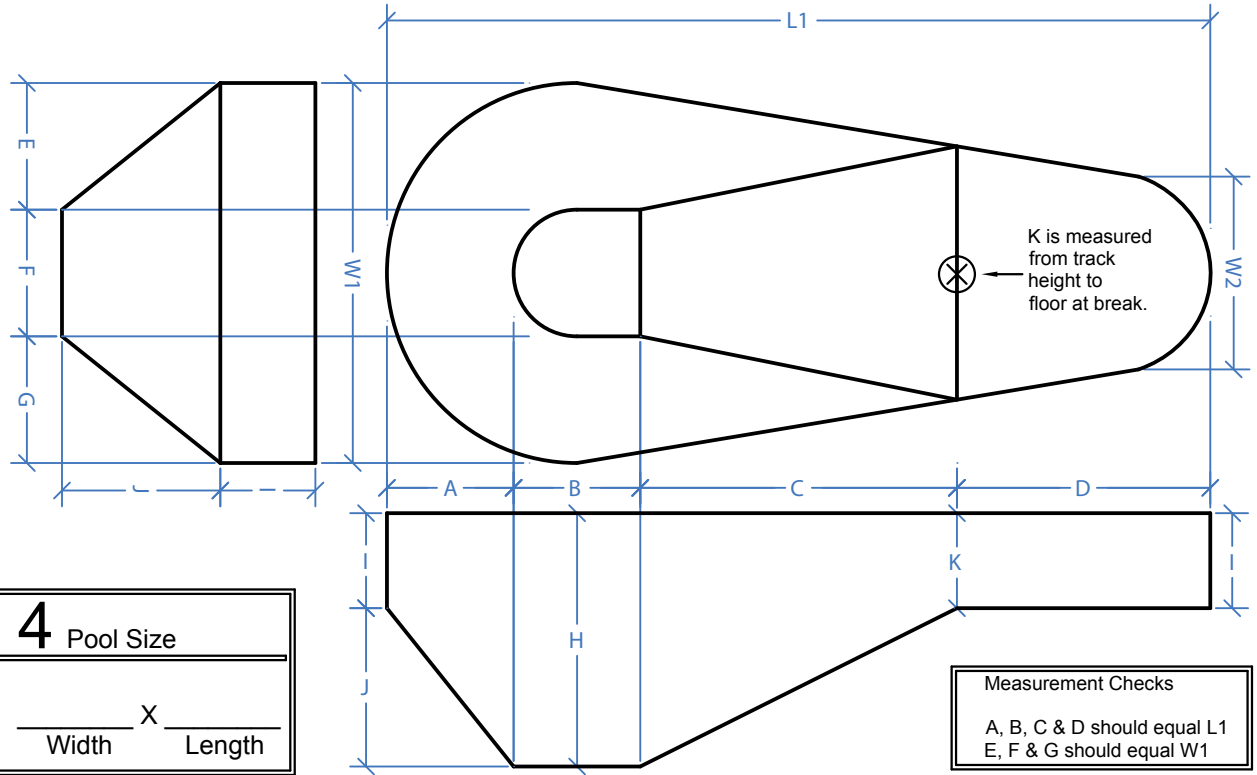
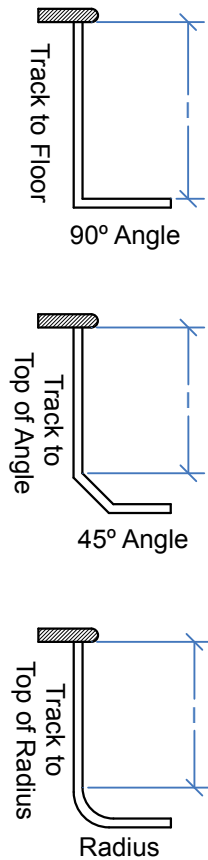


1 Measurements

	FT	IN
A	_____	_____
B	_____	_____
C	_____	_____
D	_____	_____
E	_____	_____
F	_____	_____
G	_____	_____
H	_____	_____
I	_____	_____
J	_____	_____
K	_____	_____
L1	_____	_____
W1	_____	_____
W2	_____	_____

Shallow End Profile



4 Pool Size

_____ X _____
Width Length

5 Liner Material

	Mil	Pattern
Floor	<input type="checkbox"/> 20 <input type="checkbox"/> 30	_____
Wall	<input type="checkbox"/> 20 <input type="checkbox"/> 30	_____

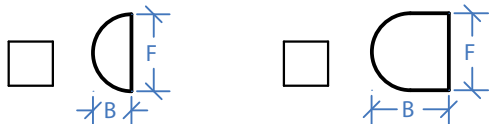
6 Step Detail

	Yes	No
Liner Covers Steps?	<input type="checkbox"/>	<input type="checkbox"/>
Fiberglass Steps?	<input type="checkbox"/>	<input type="checkbox"/>
Safety Ledge?	<input type="checkbox"/>	<input type="checkbox"/>
<input type="checkbox"/> Bench	<input type="checkbox"/> Loveseats	

2 Liner Mounting

Beaded Overlap

3 Hopper Top View Detail (check one)



7 Customer

Name _____

Address _____

City _____

State _____ Zip _____

Phone 1 _____

Phone 2 _____

Fax _____

Email _____

Representative _____