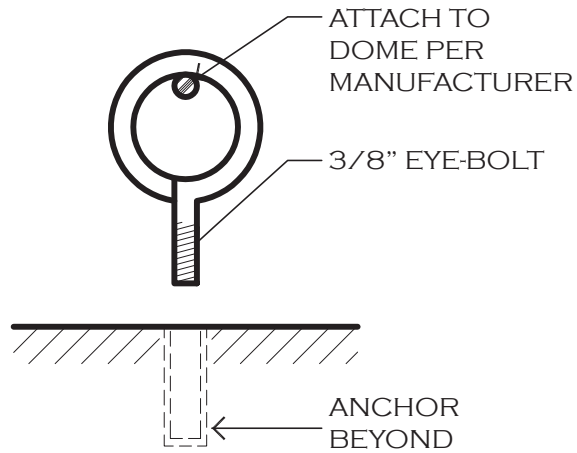




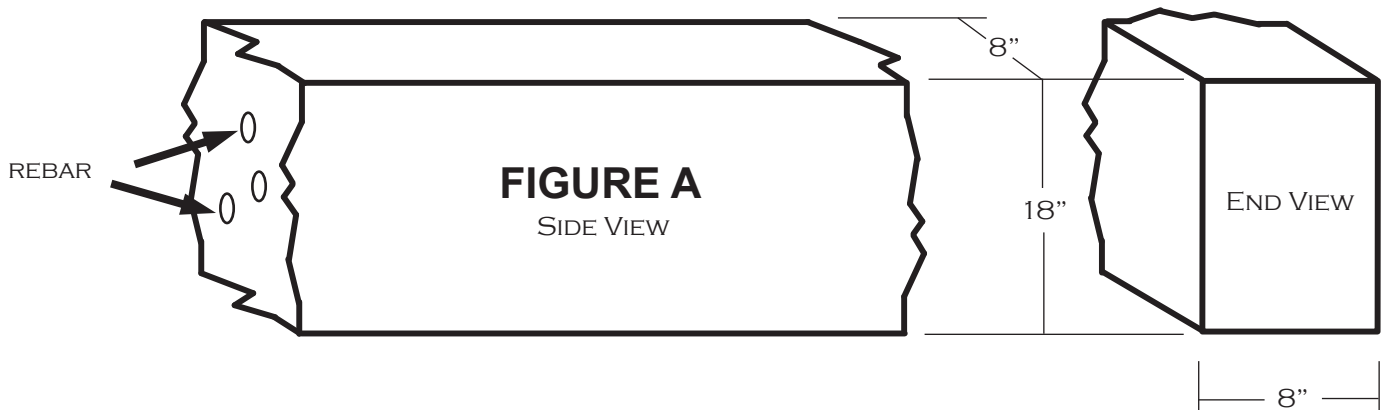
DOME FOOTING DIAGRAM



CROSS SECTION

DECK ANCHOR & EYE-BOLT
(AFTER THE FACT)

ANCHOR SPACING IS DETERMINED BY SIZE OF DOME. (CONSULT MANUFACTURER)



1 CUBIC YARD OF CONCRETE = 27 CUBIC FEET OR EQUIVALENT OF 27 LINEAL FEET

(EACH LINEAL FOOT OF FOOTING SHOWN IN FIGURE A EQUALS 1 CUBIC FOOT)

TOTAL LINEAL FOOTAGE DIVIDED BY 27 EQUALS NUMBER OF YARDS NEEDED.